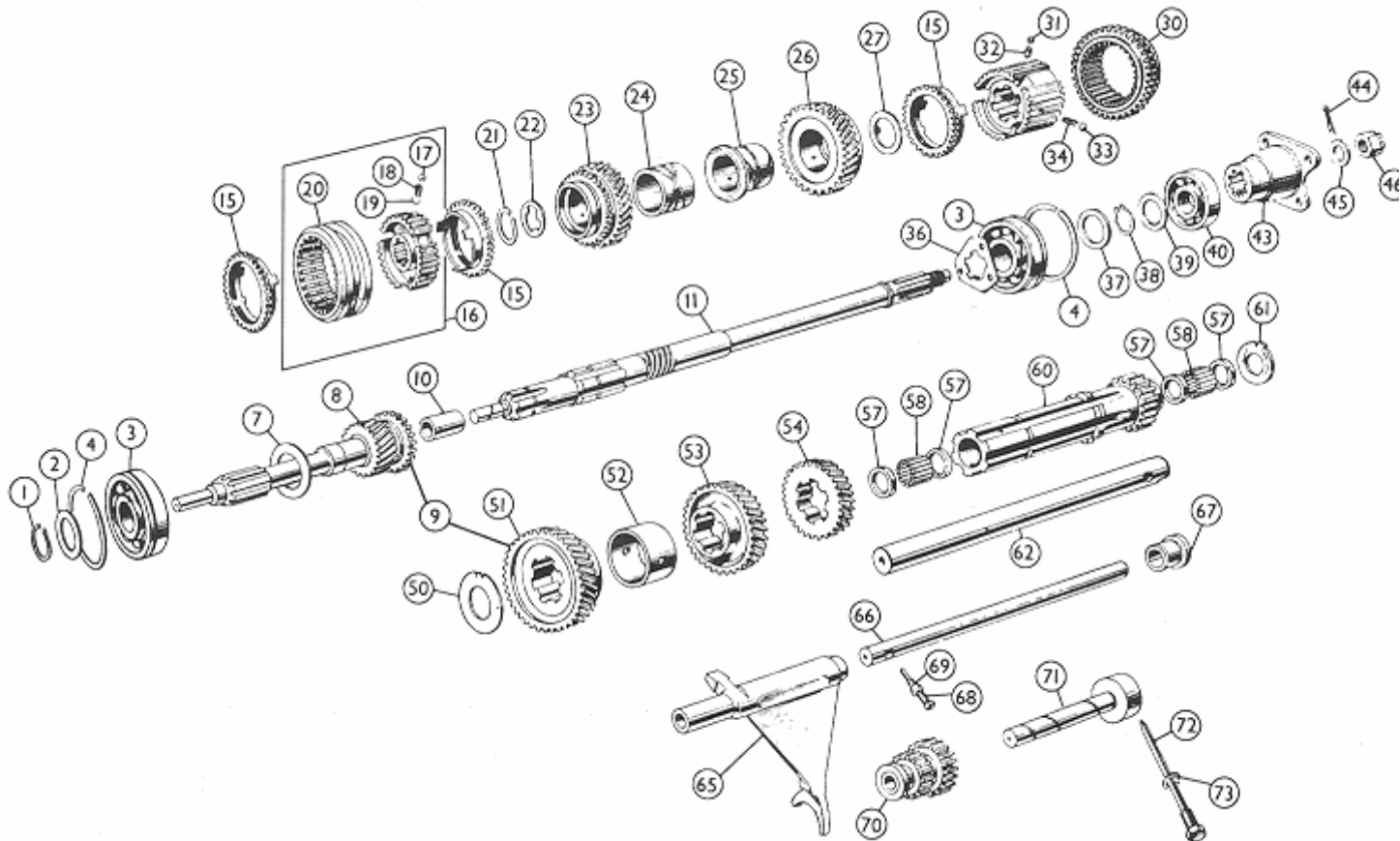


The Greasy Hands Garage Guide to Rebuilding the Triumph TR Transmission

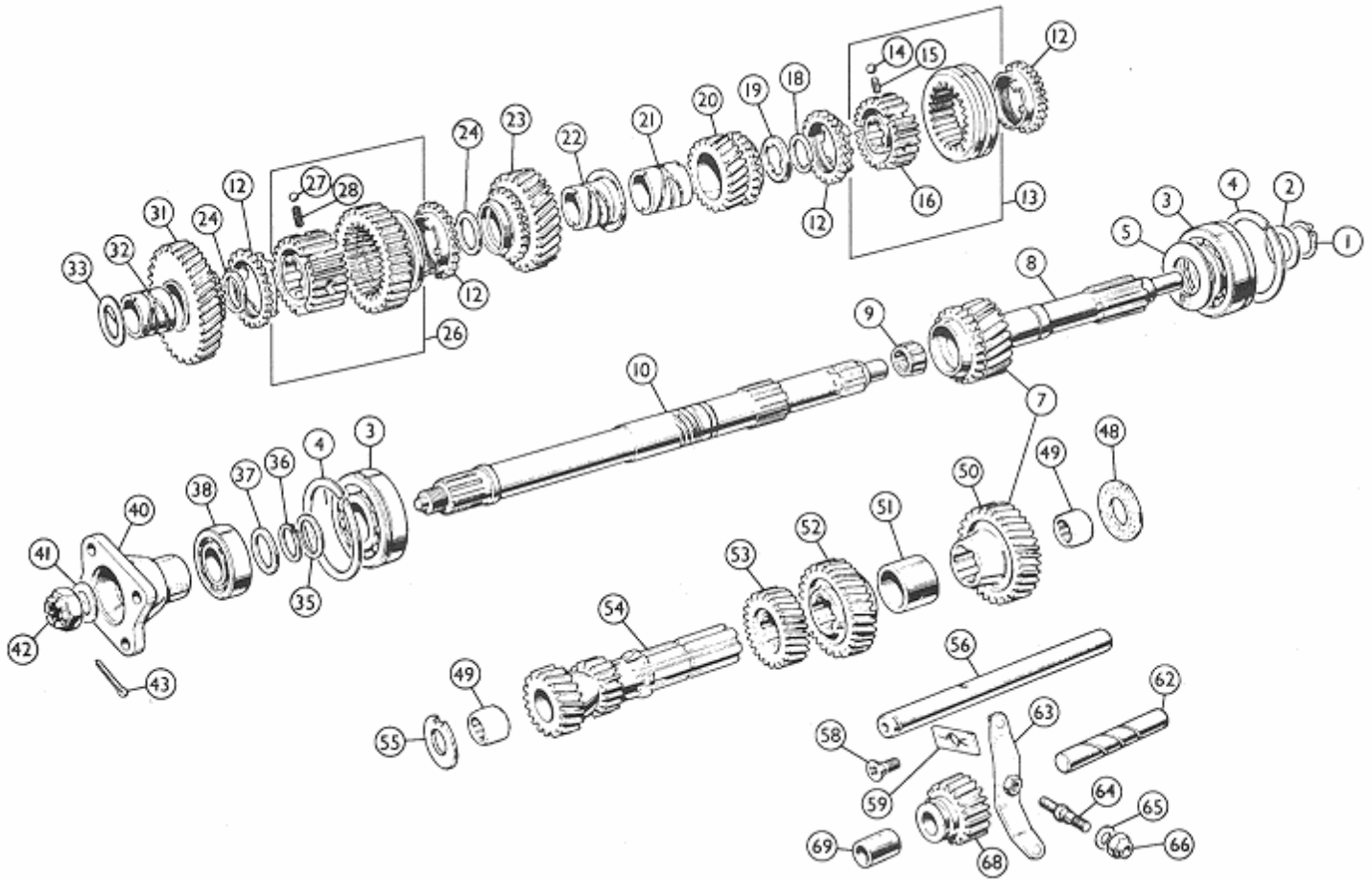
Part 2 – Reassembly

Early Transmission Details



Description	No.	ID	OD	thickness
Before front bearing	2	1.251	1.645	0.063
Behind front bearing	7	1.449	2.50	0.032
Before 3 rd gear	22	1.251	1.696	0.122
Behind 2 nd gear	27	1.275	1.693	0.119
Before center bearing	36	1.273/1.340	NA	0.140
Behind center bearing	37	1.255	1.644	0.092
Before 3 rd bearing	39	1.190	1.515	0.092
Rear flange	45	0.780	1.378	0.116

Late Transmission Details



Description	No.	ID	OD	thickness
Before front bearing	2	1.253	1.644	0.064
Behind front bearing	5	1.445	2.530	0.034
Before 3 rd gear	19	1.256	1.696	0.123
Behind 2 nd gear (adjust)	24	1.267	1.667	0.120 (0.118-0132)
Before 1 st gear (adjust)	24	1.264	1.664	0.118 0.118-0132)
Before center bearing	33	1.259	1.888	0.141
Behind center bearing	35	1.262	1.656	0.094
Before 3 rd bearing	37	1.188	1.521	0.094
Rear flange	41	0.757	1.505	0.126

Main Shaft Float



Syncro Hubs





Input Shaft Assembly



Mainshaft Assembly



Countershaft End Float





Countershaft Assembly



Putting it together





Front cover installation



Tail installation



Step x – Install speedometer drive gear



Step x – Install rear seal and flange



Overhall and install the top cover

